

SERIES	PRODUCT FAMILY	VERSION	MODEL
700	GAS RANGES	GAS	NECG76A

DESCRIPTION

GAS RANGE 6 BURNERS ON CUPBOARD



TECHNICAL DATA:

STRUCTURE	CUPBOARD
WIDTH	1200 mm
DEPHT	730 mm
HEIGHT	900 mm
NET WEIGHT	85 kg
VOLUME	0.76 m3
GAS POWER	36 kW

SERIES	PRODUCT FAMILY	VERSION	MODEL
700	GAS RANGES	GAS	NECG76A

FEATURES:

Gas Range 6 burners, Monoblock unit on open base. Pressed cook top made of stainless steel AISI 304, thickness 15/10, pre-fitted for head-to head connection. Standard device with 6 main burners, max. output 6 kW, hermetically sealed to top. Constant power adjustment within a range of 1.6 to 6 kW via safety tap with thermocouple. Ignition of the main burner via a steady low-consumption pilot burner (170 W). The pilot burner and thermocouple are placed underneath the main burner body to provide protection against accidental impacts and spills. Top with radiused corners for easy cleaning, equipped with RAAF enamelled cast iron grids (acid, alkali and flame resistant). Height-adjustable feet in stainless steel.

STANDARD ACCESSORIES:

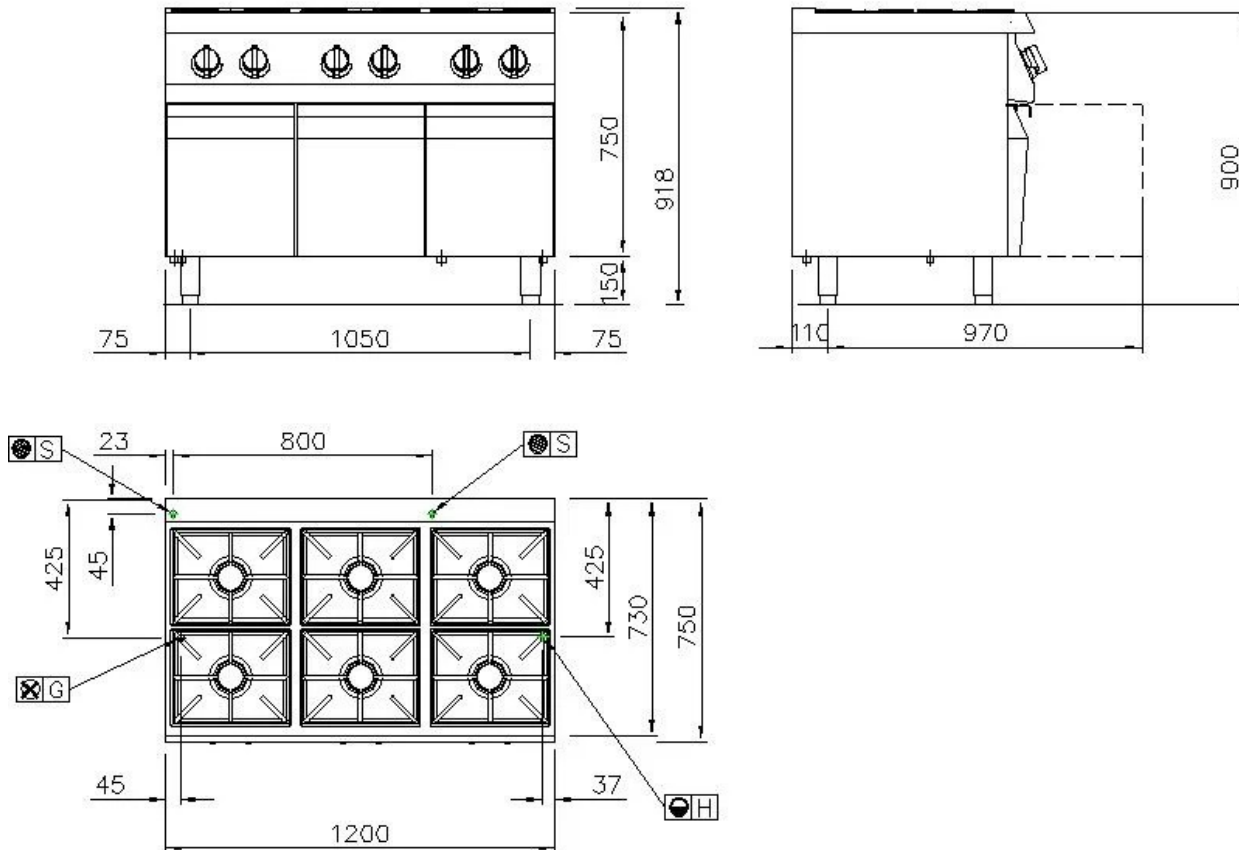
• CAST IRON GRID	EGG7
------------------	------

OPTIONAL ACCESSORIES:

• ELECTRIC IGNITION KIT	EXACEL6
• KIT WATER LOAD / DRAIN ON BURNER SUPPORT BASIN	EXSCA6
• CAST IRON GRID	EGG7
• STAINLESS STEEL GRID	EGT7
• RIBBED HOTPLATE	EGHR7
• SMOOTH HOTPLATE	EGHL7

SERIES	PRODUCT FAMILY	VERSION	MODEL
700	GAS RANGES	GAS	NECG76A

INSTALLATION SCHEME



	E1	SOCKET		
	AF	COLD WATER	Ø 1/2"	100 mm
	AC	HOT WATER		
	G	GAS	Ø 1/2"	100 mm
	S	DRAINING	Ø 40mm N°2	0 mm

NOTES FOR THE INSTALLER:

All water and gas connections must be fitted with a shut-off valve or ball valve. Main gas connections must be provided of closing gate device.

Gas connections must not use welded tubes.

Gas connections must be jacketed according to current rules in the country.

Electric connections must be provided of safety switch and a minimum exit wire of 1,5 meter lenght (except where otherwise required in the drawing).

All sockets must be built according to safety-rules in force. Suited for humid room and settled with necessary plug. All electric connections must be provided of main switch.

The specification shown in this document are to be considered not bounding.

The company reserves the right to make technical changes at any moment.