

SERIES	PRODUCT FAMILY	VERSION	MODEL
900	GRILL	ELECTRIC	NEGVRE94A

DESCRIPTION

ELECTRIC GRILL 80 CM ON CUPBOARD



TECHNICAL DATA:

STRUCTURE	CUPBOARD	NR. COOKING ZONES	2
WIDTH	800 mm	GRILL DIMENSIONS	545x640 mm
DEPHT	900 mm		
HEIGHT	900 mm		
NET WEIGHT	88 kg		
VOLUME	1 m3		
ELECTRIC POWER	10.83 kW		
PHASE	3N		
FREQUENCY	50/60 Hz		
VOLTAGE	400 V		

SERIES	PRODUCT FAMILY	VERSION	MODEL
900	GRILL	ELECTRIC	NEGVRE94A

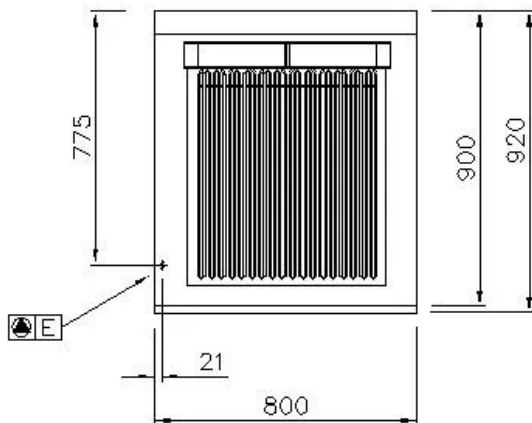
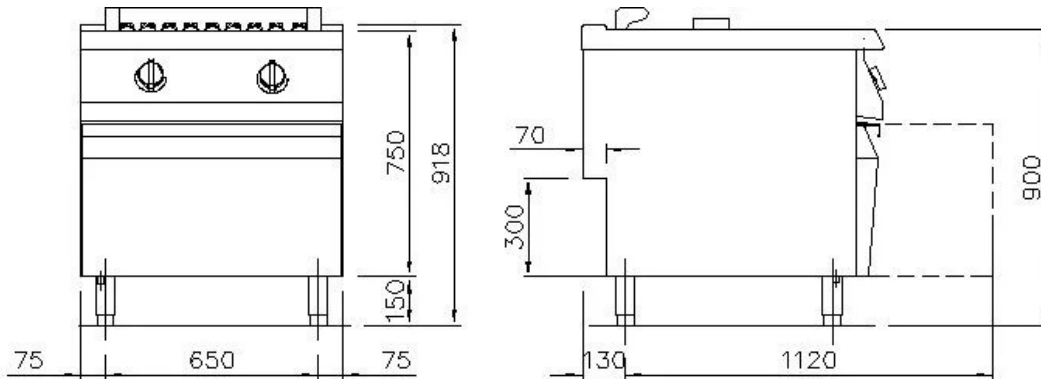
FEATURES:

Electric Grill Monoblock unit, two cooking zones. Stainless steel top (AISI 304) thickness 20/10, pre-fitted for head-to-head connection. Reversible cast iron grid. Tilting forward for cooking fatty meats, with 4 mm elements in direct contact and drip tray for collecting grease. Horizontal grid for fish and vegetables, elements with circular design diam. 10 mm. Splashback up-stand on three sides, height 13.5 cm, made of stainless steel AISI 304. Fat drain channel in the front, easily removable for cleaning. Removable tray for grease and water positioned underneath the heating elements. Grease is cooled down by water. The water then evaporates and cooks the food gently. Control unit placed on the fixed front panel. Heating by means of shielded electrical Incoloy resistances placed underneath the cooking grid, protected by a stainless steel diffuser (Aisi 316), easily removable for cleaning. Activation and set up of the heating process via thermostat. An orange signal light appears when the appliance is turned on and operating. Height-adjustable feet in stainless steel. Scraper for grid included.

OPTIONAL ACCESSORIES:

SERIES	PRODUCT FAMILY	VERSION	MODEL
900	GRILL	ELECTRIC	NEGVRE94A

INSTALLATION SCHEME



	SOCKET	400 V	3N
	COLD WATER		
	HOT WATER		
	GAS		
	DRAINING		

NOTES FOR THE INSTALLER:

All water and gas connections must be fitted with a shut-off valve or ball valve. Main gas connections must be provided of closing gate device.

Gas connections must not use welded tubes.

Gas connections must be jacketed according to current rules in the country.

Electric connections must be provided of safety switch and a minimum exit wire of 1,5 meter lenght (except where otherwise required in the drawing).

All sockets must be built according to safety-rules in force. Suited for humid room and settled with necessary plug.

All electric connections must be provided of main switch.

The specification shown in this document are to be considered not bounding.

The company reserves the right to make technical changes at any moment.