

SERIES 700    PRODUCT FAMILY INDUCTION PLATE    MODEL NECI72G

## DESCRIPTION

ELECTRIC RANGE INDUCTION TOP 2 ZONES ON OPEN MODULE



## TECHNICAL DATA:

STRUCTURE	OPEN BASE	PLATE SIZE	350x570 mm
WIDTH	400 mm	NR. COOKING ZONES	2
DEPHT	730 mm		
HEIGHT	900 mm		
NET WEIGHT	47.5 kg		
VOLUME	0.26 m3		
ELECTRIC POWER	7 kW		
PHASE	3		
FREQUENCY	50/60 Hz		
VOLTAGE	400 V		

SERIES	PRODUCT FAMILY	MODEL
<b>700</b>	<b>INDUCTION PLATE</b>	<b>NECI72G</b>

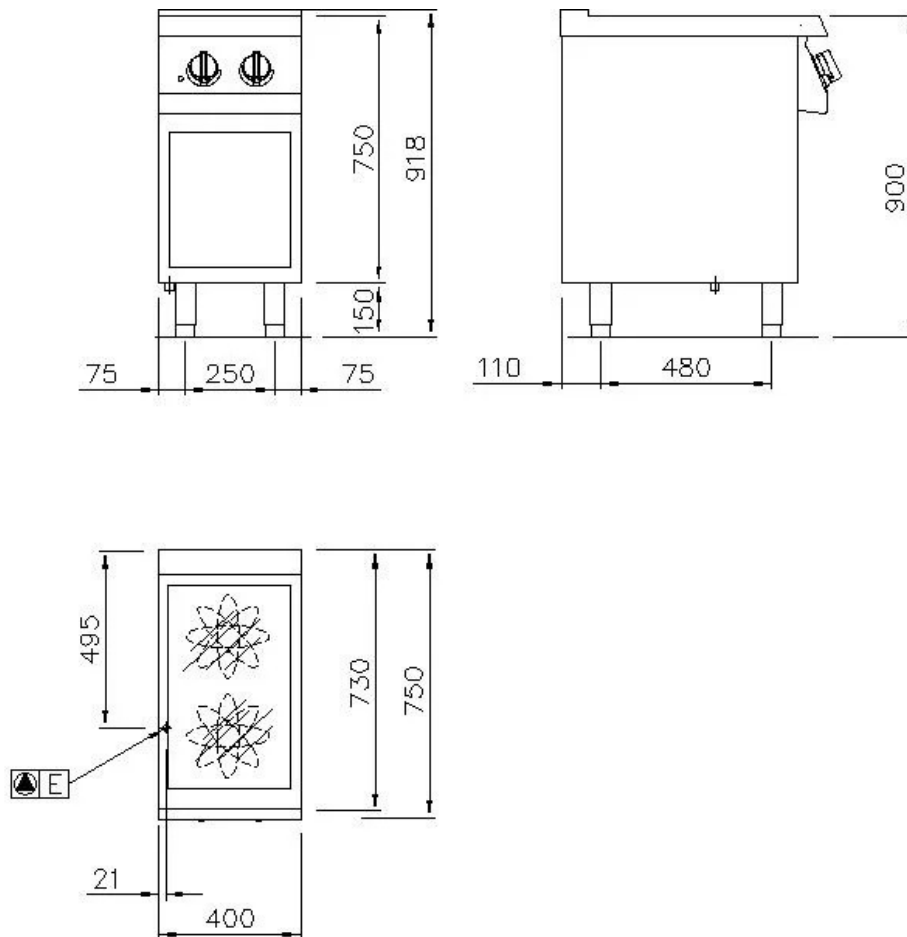
**FEATURES:**

Electric Induction Range, Monoblock unit on open base. Top plate in stainless steel AISI 304, thickness 15/10, pre-fitted for head-to-head connection, ceramic top thickness 6 mm sealed to the top plate, the pot detection system activates heating as soon as a cooking pot is placed upon the cook top. Equipped with 2 independent cooking zones of 3.5 kW. Cooking zones are framed by silkscreened circles on the ceramic surface. Selector switch with 10 power settings. Indicator lights signal heating activation and that the appliance is operating correctly. Incorporated Power-Box, main safety sensor. Height-adjustable feet in stainless steel.

**OPTIONAL ACCESSORIES:**

SERIES 700      PRODUCT FAMILY INDUCTION PLATE      MODEL NECI72G

## INSTALLATION SCHEME



	SOCKET	400 V	3
	COLD WATER		
	HOT WATER		
	GAS		
	DRAINING		

### NOTES FOR THE INSTALLER:

All water and gas connections must be fitted with a shut-off valve or ball valve. Main gas connections must be provided of closing gate device.

Gas connections must not use welded tubes.

Gas connections must be jacketed according to current rules in the country.

Electric connections must be provided of safety switch and a minimum exit wire of 1,5 meter lenght ( except where otherwise required in the drawing).

All sockets must be built according to safety-rules in force. Suited for humid room and settled with necessary plug.

All electric connections must be provided of main switch.

The specification shown in this document are to be considered not bounding.

The company reserves the right to make technical changes at any moment.